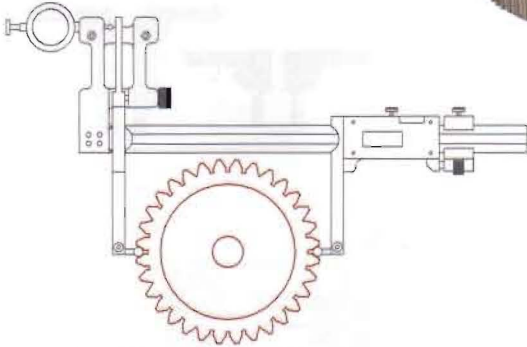


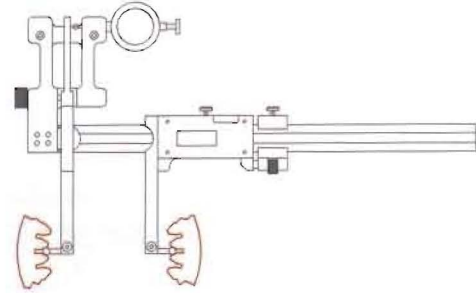
# DIGI BASCOM

Calibro a comparazione interno/esterno  
Caliper for inside/outside measurement

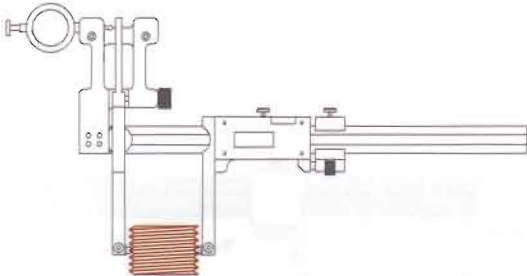
## APPLICAZIONI APPLICATIONS



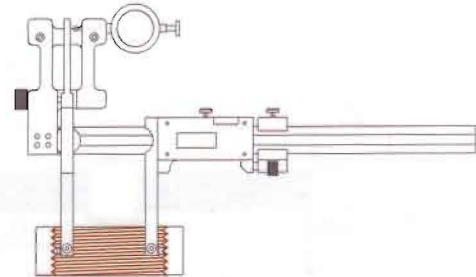
Controllo dentature esterne *Outside tooth measurement*



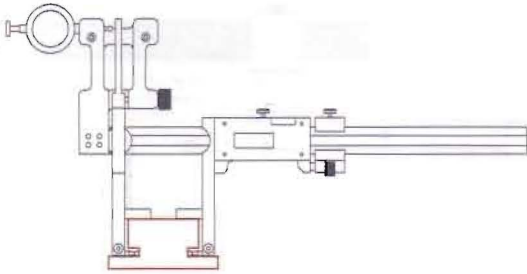
Controllo dentature interne *Inside tooth measurement*



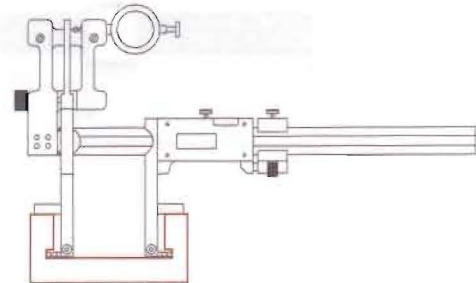
Controllo filettature esterne *Outside thread measurement*



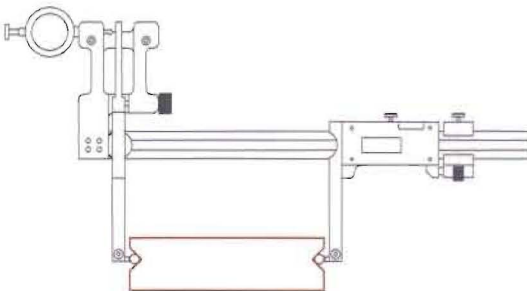
Controllo filettature interne *Inside thread measurement*



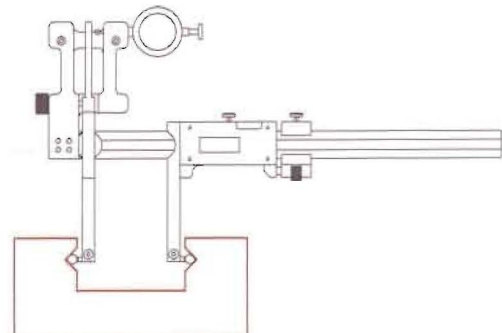
Controllo canalini e gole esterne *Outside channel and groove measurement*



Controllo canalini e gole interne *Inside channel and groove measurement*



Controllo guide a "V" esterne *Outside "V" guide measurement*



Controllo guide a "V" interne *Inside "V" guide measurement*

Per i Terminali intercambiabili vedere a pag.71-72 *For interchangeable rods see pag.71-72*